



JOURNAL OF  
APPLIED  
CRYSTALLOGRAPHY

**Volume 56 (2023)**

**Supporting information for article:**

**Development of a D<sub>2</sub>O/H<sub>2</sub>O vapor generator for contrast-variation neutron scattering**

**Hiroshi Arima-Osonoi, Shin-ichi Takata, Satoshi Kasai, Keiichi Ohuchi, Toshiaki Morikawa, Noboru Miyata, Tsukasa Miyazaki, Hiroyuki Aoki, Hiroki Iwase, Kosuke Hiroi, Masao Ogura, Takashi Kikuchi, Hideo Takashina and Takahiro Sakayori**

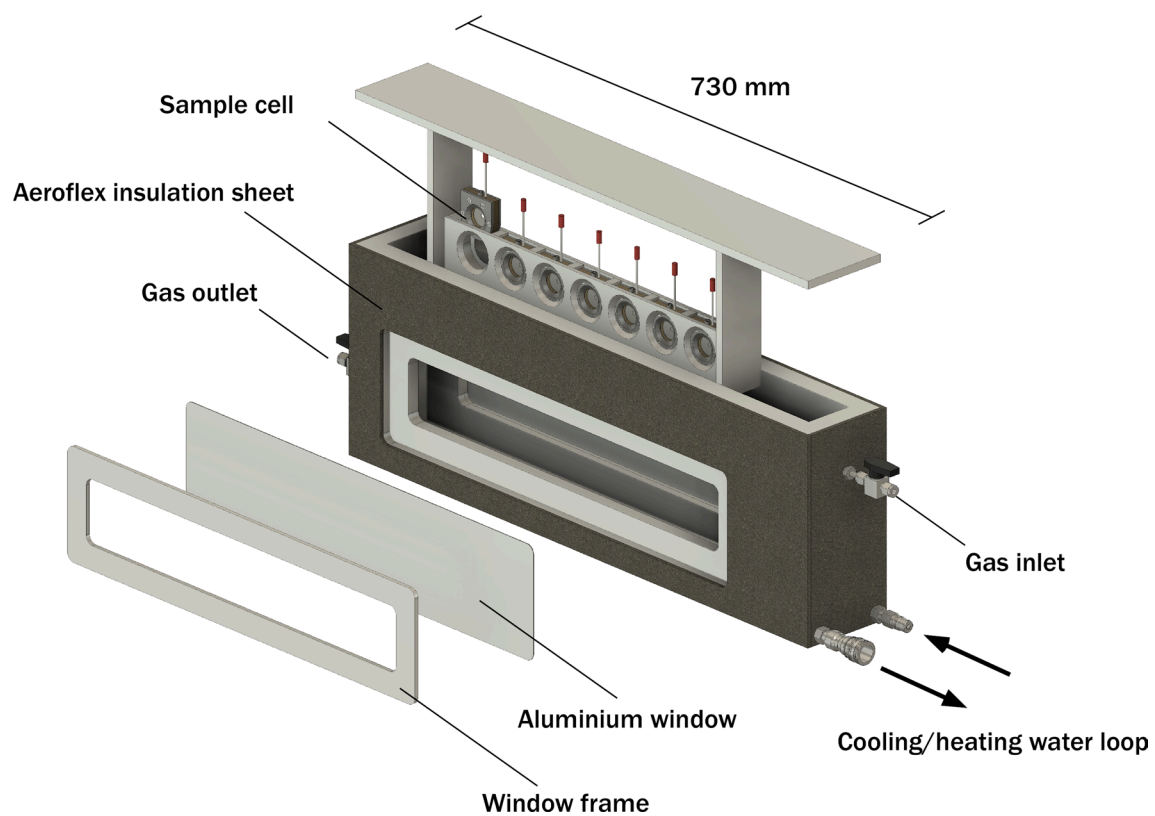


Figure S1. Schematic view of the sample changer and standard cell for in situ SANS measurements.