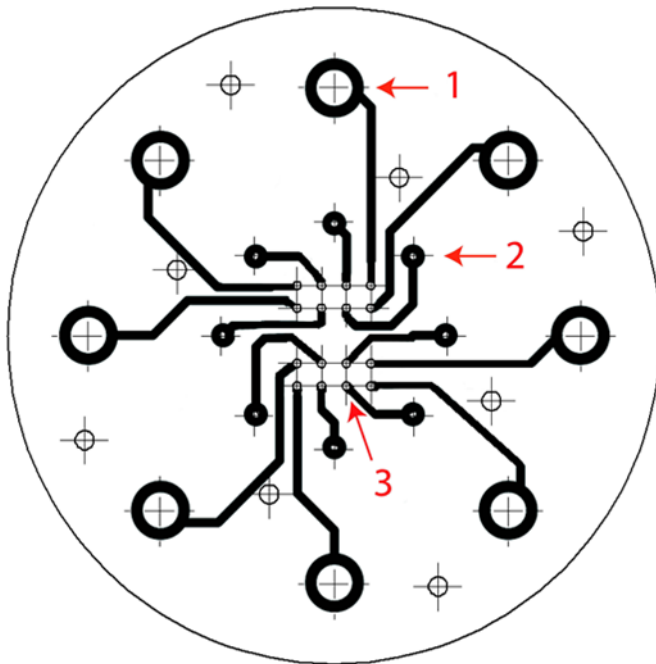


## Supporting information



**Figure S1** Detailed view of the PCB – printed circuit board: 1: conducting pads for the helical spring (Figure 1, item 3); 2: conducting pads for wire from metallic cap (Figure 1, item 1 and 5); 3: conducting pads for the MOLEX - connector (Figure 1, item 8).